

GKB P6107 PnP IP Camera

Plug-and-Play Weatherproof IP Camera with Built-In Infrared

GKB P6107 is a network-ready camera for outdoor use in residential surveillance installations. GKB P6107 delivers plug-and-play (PnP) networking when used with GKB zIP View™ software, and this all-in-one design features weatherproof metal housing and built-in long distance infrared.

Features:

•Plug & Play

GKB P6107 is a plug & play IP camera that makes network set-up easy. Once installed, set-up is as simple as entering ID and password using GKB zIP View™ software.

•3G Mobile Access

GKB P6107 enables 3G mobile surveillance by RTSP. With mobile version NVR, surveillance is done by simply entering ID and password, on most mobile phones of Windows Mobile, Symbian, and iPhone OS.

•Built-in Infrared

Infrared sensors inside the camera's housing provide the ability to capture images during night and low-light conditions. Intensified infrared LEDs extend night vision distance up to 30 meters.

•MPEG4 Video Compression

GKB P6107 features MPEG4 video compression for superior video quality. Image quality is enhanced by avoiding the conversion of analog signals to digital before transmission.

•Weatherproof Housing

Weatherproof housing allows GKB P6107 to be installed in most applications and environments, including in summer, winter, sunny day or rainy day; making it an ideal camera for outdoor surveillance.



Alternate Views

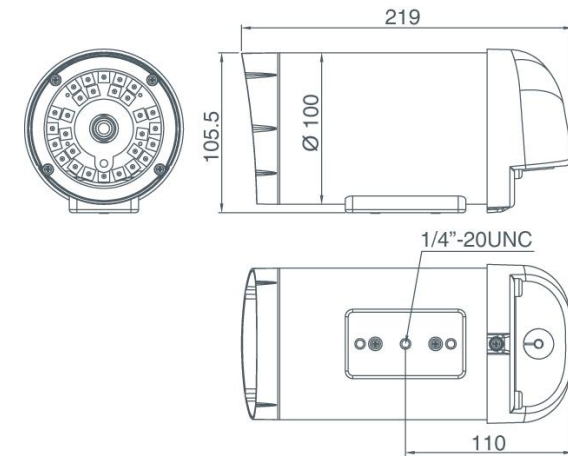


GKB P6107 PnP IP Camera

Video	Image Sensor	CMOS
	Number of Effective Pixels	NTSC:510(H)*492(V) / PAL:500(H)*582(V)
	Video Compression	MPEG4
	Video Streams	2
	Resolution	176 * 120, 352 * 240, 720 * 480
	Frame Rate	Up to 30 fps in All Resolution
	Min. Illumination	0.5 Lux, 50 IRE, F1.4
	Gamma	0.45
	S/N Ratio	>48 dB
	Sync. Mode	Internal Sync
	Scanning System	2:1 Interlace
	Shutter Control	NTSC: 1/60-1/100,000 sec. / PAL: 1/50-1/100,000 sec.
	BNC Video Output	Composite Video 1.0Vpp. 75 ohm
	Night Mode	Auto
Quantity	28	
Infrared LED	Peak Wavelength	850 nm
	Radiant Distance	30 meters
Power	Power Supply	12V DC
	Power Consumption	18 W
Lens	4 mm board lens (standard); 6mm/ 8 mm (optional)	
Dimension	219 (L) * 108.6(H) * 100 (Ø) mm	
Weight	1.1 kg	
Ingress Protection Rating	IP66	
Operating Temperature	-10°C ~ +60°C	

Network	Protocol	HTTP, TCP, UDP, ICMP, RTSP, SMTP, FTP, UPnP, DNS, DHCP, PPPoE,
	Ethernet	10/100M Fast Ethernet RJ-45 Port
Software	Operating System	Windows XP and above
	Software Package	zIP View™ (36CH. Management Software)

Dimension (mm)



Optional Accessories



GKB HD914