

GKB Diplomat™ D6122 IP Camera

Self-Networking Weatherproof Megapixel IP Camera with Infrared

GKB Diplomat™ D6122 is a professional 1.3 Megapixel IP camera which covers wider range and provides much clearer images than traditional analog cameras.

It is also the world's first High Definition network camera to feature automated self-networking for fast network set-up and installation.

Features:

- **1.3 Megapixel CMOS Sensor**

GKB Diplomat™ D6122 is a professional 1.3 Megapixel IP Camera and provides SXGA resolution. One GKB Diplomat™ D6122 covers the resolution over 4 times of D1 resolution analog cameras.

- **H.264 Video Compression**

GKB Diplomat™ D6122 features H.264 video compression for superior video resolution. The low bit-rate of H.264 codec makes for smoother video streaming, even under the most unfavorable of network environments.

- **Digital Zoom Function**

GKB Diplomat™ D6122 features 1.3 Megapixel high resolution. Bundled GKB Envoy™ software which provides Digital Zoom Function, users are able to see clear live view image in all surveillance area by using few cameras.

- **Automated Self-Networking**

GKB Diplomat™ D6122 is a self-networking IP camera that eliminates the need for complicated and time-consuming router configuration. Bundled GKB Envoy™ software reduces network set-up to less than 30 seconds.

- **Cloud Platform**

Cloud platform framework brings IP solution to a new level. The IP cameras are managed by account and password. The live image and playback can display anytime anywhere via the IE browser, without any extra software installed.

- **Micro-SD Card Storage**

GKB Diplomat™ D6122 is equipped with a Micro-SD card slot. The video is recorded locally in the Micro-SD card, and can be retrieved easily remotely by IE browser without taking out the Micro-SD card.



Alternate Views

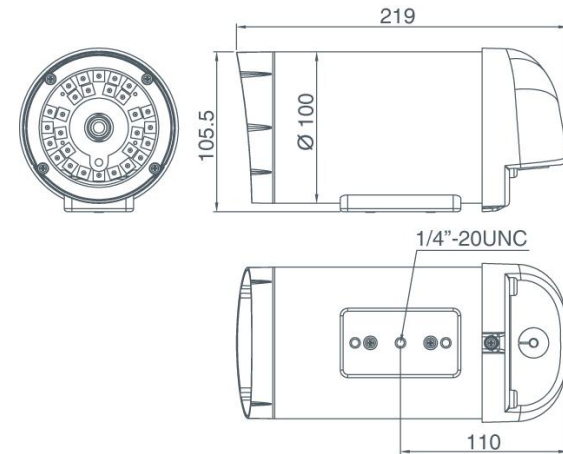


GKB Diplomat™ D6122 IP Camera

Video	Image Sensor	1/3" Megapixel CMOS Sensor	
	Video Compression	H.264	
	Video Streams	8	
	Resolution	SXGA(1280*1024),VGA,QVGA	
	Frame Rate	Up to SXGA, 15 fps	
	Min. Illumination	0 Lux (IR LED ON)	
	S/N Ratio	>44dB	
	Shutter Control	1/5~1/15,000 sec Electronic rolling shutter(ERS)	
	Night Mode	Auto (Phototransistor Sensor)	
	Auto Gain Control	Auto	
	Back Light Control	Auto	
	White Balance	ATW/ Manual (by remote software)	
	Infrared LED	Quantity	28
Peak Wavelength		850nm	
Radiant Distance		30 meters	
IR LED ON		Under 3-5 Lux	
Power	Power Supply / Consumption	12V DC / 6.6W	
	Audio Streaming	Two-way Audio	
Audio	Audio Input / Output	Audio in: Line Level Input / Audio out: Line Level Output : Speaker 8 ohm 330mW	
	Storage	Micro SD Card up to 32GB (Enable Remote Site Playback)	
Lens	6mm Board Mega Pixel Lens		
Dimension / Weight	219 (L) * 108.6(H) * 100(Φ)mm / 1.1 Kg		
Ingress Protection Rating	IP66		
Operating Temperature	-10°C ~60°C		

Networking	Protocol	HTTP,TCP,UDP,DNS,DHCP,PPPoE, Samba,RTP,RTCP,RTSP	
	Ethernet	10/100Mps Fast Ethernet RJ-45 port	
Software	Operating System	Windows XP and above	
	Software Package	64 Channel NVR	Viewer
		Remote Playback	Setup Software Utility

Dimension (mm)



Optional Accessories



GKB HD914