

GKB 6109 Analog Camera

Weatherproof Bullet Camera with Infrared and Fixed Lens

GKB 6109 is a bullet camera comes standard with infrared and various fixed lens types for multiple choices, ideal for outdoor surveillance systems. The camera features with 28pcs high-performance IR LEDs, the IR distance is up to 40M. GKB 6109 equipped with GKB latest "Smart IR Control™" Technology, helping the camera to prevent the over-exposure problem while the object is too close to the camera.

Features:

- **1/3" Sony SuperHAD CCD**
Equipped with latest 1/3" Sony SuperHAD CCD, GKB 6109 presents a quality 420 TV Lines of resolution and higher S/N ratio.
- **IR Range 40M**
GKB 6109 features with 28pcs high-performance IR LEDs and latest Sony high sensitivity CCD, the IR radiance distance can reach 40m even in outdoor environment.
- **Smart IR Control™**
GKB 6109 features a "Smart IR Control™" technology. While the object is too close to the camera, the camera would automatically adjust its image to prevent IR over-exposure problem.
- **Min. Illumination 0.3Lux**
GKB 6109 is with a minimum illumination 0.3Lux allows catching clear and crispy image even under dark environment.
- **Weatherproof IP66 Rating**
GKB 6109 is with a metal housing which provide IP66 weatherproof rating; the camera is suitable for outdoor environment.



Alternate Views

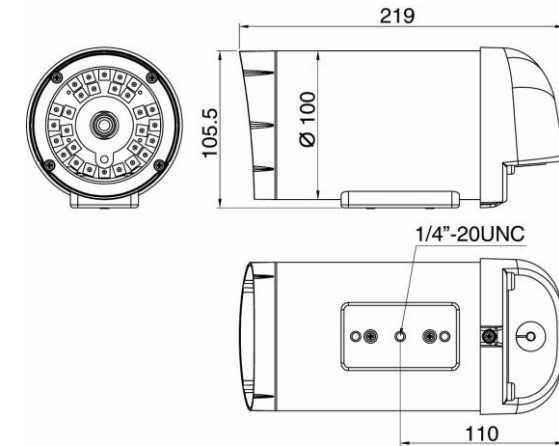


GKB 6109 Analog Camera

Video	Image Sensor	1/3" Sony Super-HAD CCD II
	Effective Number of Pixels	NTSC: 510(H) * 492(V) PAL: 500(H) * 582(V)
	Resolution	420 TVL
	Min. Illumination	0.3 Lux (50 IRE, F1.4) 0.01 Lux(10 IRE, F1.4)
	Gamma	0.45
	S/N Ratio	>48dB
	Sync. Mode	Internal Sync.
	Scanning System	2:1 Interlace
	Horizontal Sync. Frequency	NTSC: 15.734 KHz / PAL: 15.625 KHz
	Shutter Control	NTSC: 1/60~1/100,000 sec PAL: 1/50~1/100,000 sec
	BNC Video Output	1.0 Vp-p, 75 ohm
	On-Screen Display	-
	Day/Night Mode	Yes
	Auto Electronics Shutter	On
	Auto Gain Control	On
	Back Light Compensation	On
	White Balance	ATW
	Infrared	Quantity
Peak Wavelength		850nm
Radiant Distance		40M *
Power	Power Supply	DC 12V
	Power Consumption	6W
Lens	4mm Fixed Lens (Standard) 6mm/ 8mm Fixed Lens (Optional)	
Ingress Protection	IP 66	
Dimension	219 (L) x 100 (W) x 105.5 (H) mm	
Weight	1.1 KG	
Mounting	Surface Mount	
Operating Temperature	-10°C ~ 60°C	

* Depending on Scene Reflection.

Dimension (mm)



Optional Accessories



GKB HD914