

## GKB 305VR Analog Camera

Digital WDR 3-Axis Vandalproof Dome Camera with Varifocal Auto-Iris Lens

GKB 305VR is a vandalproof dome camera providing 600 TV lines of horizontal resolution. Equipped with Sony Super-HAD CCD II, presents lower Lux illumination and clear/ crispy picture. 30pcs high-performance IR radiance distance can reach 25m in outdoor environment. The streamlined design and vandalproof casing blends in with most architectural styles, and prevents the camera from vandal damage.

### Features:

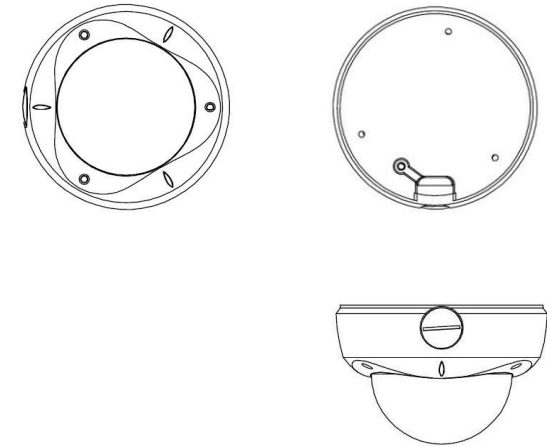
- **D-WDR(Digital Wide Dynamic Range)**  
D-WDR Improves the contrast between low and high lighting areas, presents a clear image even under strong contrast environment.
- **3D-DNR (3D Digital Noise Reduction)**  
Embedded with 3D-DNR technology, produces extremely clear picture quality even under low-light condition for 24/7 surveillance.
- **Varifocal Auto-Iris Lens**  
The GKB 305VR features a varifocal lens with a focal length of 2.8 ~10 mm and auto-iris that intuitively manages the amount of light passing through the lens for consistent image brightness.
- **RS-485 Port and On-Board OSD**  
This camera features an on-board OSD (on-screen display) with support for the RS485 interface. Once installed, camera set-up can be completed remotely with the help of a connected DVR and monitor.
- **IR-Cut Filter Removable (ICR)**  
An ICR function automates the switch between Color and B/W during day and night surveillance. (Optional)
- **Special Functions**  
The AWB, HSBLC (64 selectable areas), 256X Sens-up, Digital Zoom ( X1~X32) and other features will automatically adjust themselves according to their environment to give you optimal images, meets all of your surveillance need even day or night.



## GKB 305VR Analog Camera

Video	Image Sensor	1/3" Sony Super-HAD CCD II
	Effective Number of Pixels	NTSC: 768(H) * 494(V); PAL: 752(H) * 582(V)
	Resolution	Color: 600 TVL; B/W: 620 TVL
	Min. Illumination	Color: 0.3lx(50 IRE, F1.2)/0.001 lx (Sens-Up 256X)
	Gamma	B/W: 0.01lx(50 IRE, F1.2)
		0.45
	S/N Ratio	50dB
	Sync. Mode	Line Lock(AC) / Internal Sync.(DC)
	Scanning System	2:1 Interlace
	Horizontal Sync. Frequency	NTSC: 15.734 KHz / PAL: 15.625 KHz
	Shutter Control	NTSC: 1/60~1/100,000 sec PAL: 1/50~1/100,000 sec
	BNC Video Output	1.0 Vp-p, 75 ohm
	Day/Night Mode	Color, Auto, B/W, EXT
	ICR (IR-Cut Filter)	Optional
	Auto Electronics Shutter	AUTO, 1/60(1/50)~1/100,000, X2~X256
	Auto Gain Control	OFF, LOW, MIDDLE, HIGH
	Back Light Compensation	BLC(64 selectable areas), HSBLC, OFF
	White Balance	ATW, AWB, AWC->SET, MANUAL, INDOOR, OUTDOOR
	Digital WDR	OFF/INDOOR/OUTDOOR
	Flickerless	ON/OFF
	Sens-Up	OFF / AUTO(Up to 256X)
	3DNR	ON/OFF
	Motion Detection	ON(8 Selectable Areas)/OFF
	Mirror	OFF/MIRROR/ V-FLIP/ROTATE
Negative	ON/OFF	
Privacy	ON(8 Selectable Areas)/OFF	
Digital Zoom	ON(1x~32x)/OFF	
Infrared LED	Quantity	30
	Peak Wavelength	850 nm
	Radiant Distance	25 meters
Power	Power Supply	12V~24V DC / 24V AC
	Power Consumption	6.8W
Lens	2.8~10mm Varifocal Auto-Iris Lens	
Weatherproof	IP 66 Grade	
Net Weight	0.95 kg	
Dimension	149(∅) * 98(H) mm	
Operating	-10°C ~ 60°C / 30% ~ 80% RH	

### Dimension (mm)



### Optional Accessories



HD-945