

## GKB 2706 Analog Camera

Long Range Weatherproof Camera with IR, Varifocal Lens, and OSD

GKB 2706 is a compact bullet camera comes with long-range IR LEDs. Its streamlined design and weatherproof casing could fit in with mostly architectural style, no matter in indoors or outdoors environment. GKB 2706 also features with GKB "Day & Night Smart Timer™", "TNS(Triple Night Sensor)"technology, OSD(On-Screen Display), RS-485, 3-Axis easy-mounting bracket; makes the installation job and camera adjustment easier!

### Features:

- **Day & Night Smart Timer™**  
GKB 2706 comes with GKB "Day & Night Smart Timer™" technology, it allows for scheduled Color and B/W mode, helping eliminate unstable video quality during low-light conditions at dawn and dusk.
- **IR Range 100M**  
GKB 27 Series features with 60 IR LEDs and latest Sony high sensitivity CCD, the IR radiance distance can reach 100m even in outdoor environment.
- **Smart IR Brightness Control**  
GKB 27 Series features a Smart IR Brightness Control function. While the object is too close to the camera, the camera would automatically adjust its image to prevent IR over-exposure problem.
- **TNS(Triple Night Sensor) Technology**  
GKB 2706 allows user to select external sensor (Ex. Photo transistor), internal sensor (Ex. CCD sensitivity program), or above two are positive; to switch the image between color mode and B/W mode.
- **RS-485 port and OSD(On-Screen Display)**  
GKB 2706 features an on-board OSD (on-screen display) with support of RS485 interface. Once installed, camera set-up can be completed remotely with the help of a connected DVR and monitor.
- **Anti-Fog**  
Four anti-fog heaters located around the lens help preventing fog and humidity stay on the front glass; it can also prevent the lens to be frozen in extremely cold weather.



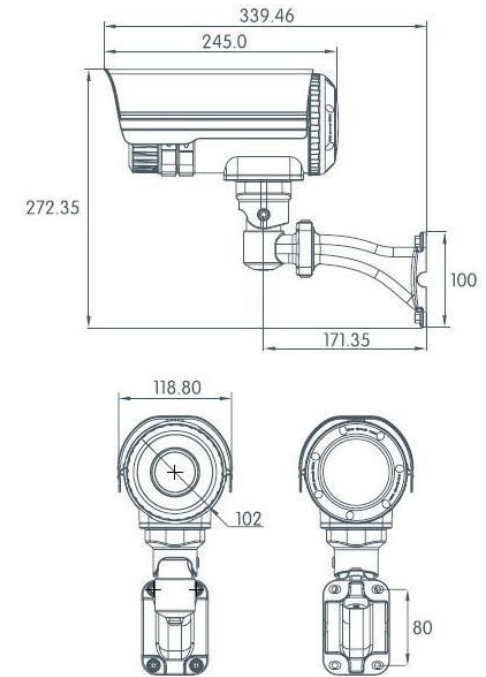
### Alternate Views



## GKB 2706 Analog Camera

Video	Image Sensor	1/3" Sony Super-HAD CCD II
	Effective Number of Pixels	NTSC: 768(H) * 494(V) PAL: 752(H) * 582(V)
	Resolution	550 TVL
	Min. Illumination	0.3Lux (50 IRE, F1.4); 0.01Lux(10 IRE, F1.4)
	Gamma	0.45
	S/N Ratio	>48dB
	Sync. Mode	Internal Sync.
	Scanning System	2:1 Interlace
	Horizontal Sync. Frequency	NTSC: 15.734 KHz / PAL: 15.625 KHz
	Shutter Control	NTSC: 1/60~1/100,000 sec PAL: 1/50~1/100,000 sec
	BNC Video Output	1.0 Vp-p, 75 ohm
	On-Screen Display	Yes
	Day/Night Mode	On / Off / Smart Timer™
	ICR (IR-Cut Filter)	Optional
	Auto Electronics Shutter	On(Adjustable) / Off
	Auto Gain Control	On / Off
	Auto Light Control	On(Adjustable) / Off
	Back Light Compensation	On / Off
	White Balance	ATW, AWB, Fixed 1~4
	Flickerless	On / Off
	Mirror	On / Off
	Negative	On / Off
	Privacy	ON(4 Selectable Areas)/OFF
Infrared	Quantity	60pcs
	Peak Wavelength	850nm
	Radiant Distance	100M (330 ft.)
Power	Power Supply	AC 24V/DC (12~24)V, AC 99V~240V
	Power Consumption	12W
Lens	3.7~12mm Varifocal Auto Iris Lens	
Ingress Protection	IP 66	
Dimension	245(L) * 102(Ø) without bracket / 339.46(L) * 102(Ø) with bracket	
Weight	1.8 KG	
Mounting	Surface Mount	
Operating Temperature	-10℃ ~ 60℃	

Dimension (mm)



Back Panel View

